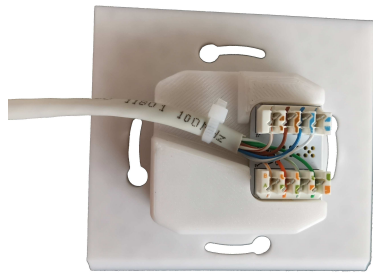


Flush-Mounted PoE to TAB10s Ethernet Adapter (Data and Power)

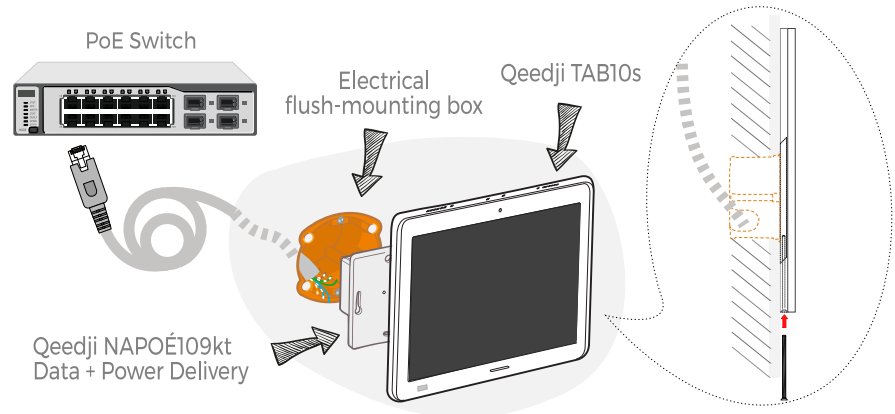


The NAPOÉ109kt accessory allows you to connect a Qeedji TAB10s tablet to an Ethernet network.

It supplies power and data to the TAB10s with a 10/100 Mbps Ethernet PoE link.

Its small footprint allows it to be housed in wall using a standard electrical box.

Its wiring is facilitated by a removable KRONE connector. It is thus possible to carry out the cabling of the Ethernet pairs without mechanical constraint then to finalize the assembly by replacing the connector in its housing.



Strengths

- Small footprint to be built into a wall
- Fixing plate for directly hanging the TAB10s
- Plug and Play: No configuration is necessary
- Input on KRONE connector for direct connection to the Ethernet cable
- Power / Data light indicators with dip-switch inhibition
- QR Code for archiving the asset

Specification

Input :
1x KRONE EIA/TIA 568A/568B
(Ethernet 10/100 Mbps)

Output :
1x POGO for Qeedji TAB10s

Protocols :
Ethernet
USB 2.0
USB Power Delivery

Indicator lights :
PoE Power: red LED
Data Link: green LEDs

Power supply :
PoE 802.3 af

Environment :

Operating temperature: 0~35 °C
Storage temperature: -20~60 °C
Operating humidity level: >80 %
Storage humidity level : >85 %

Mechanical characteristics :

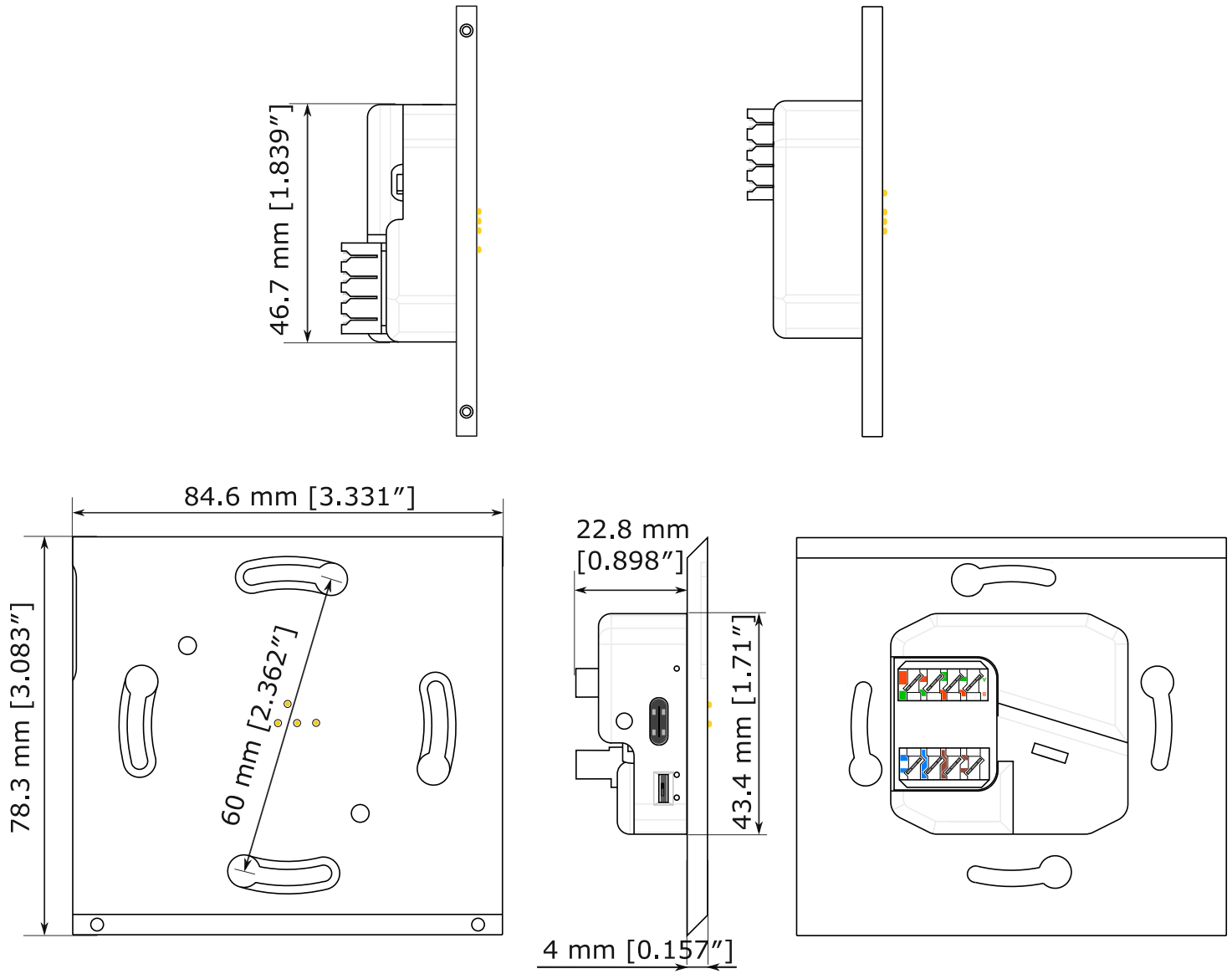
Weight: 66 gr
Dimensions (WxHxD) : 84,6 mm x 78,3 mm x 26,8 mm

warranty :

1 year (parts and labor)

Manufacturer :

Qeedji



Ordering Information

Hardware Reference	Description
EXC.ETH.POGO	Flush-Mounted PoE to TAB10s Ethernet Adapter (Data and Power)

Packing list



KRONER adapter to TAB10s



Hose clamp



www.qeedji.tech
sales@qeedji.tech

