



The SAP10e access point allows up to 10 SLATE106 e-papers to be connected to a TCP/IP network.

In its standard version, the access point can be used with the MS-PowerPoint software supplemented by the Qeedji Publisher Add-in. Updating the content displayed on the SLATE106 becomes easy; MS-PowerPoint slides will be shown directly on screens after a publication order.

Other versions of firmware, dedicated to our partners, allow the content of SLATE106 to be synchronized with a server dedicated to the build of the images to be displayed.

Connected directly to a powered RJ45 (PoE), its commissioning consists of pairing the SLATE106 using a web browser or a configuration file.

Strengths

- Power Over Ethernet (PoE)
- RJ45 male integrated
- Very low power: 0,75W
- Beacon BLE 5 compliant
- Modular firmware

Specification

Settings :

Web UI HTML5

Protocols :

HTTP(S), IPv4

Processors :

Nordic Semiconductor nRF52
ARM CryptoCell 310

Peripherals :

1x male RJ45 PoE 802.3af
1x Bluetooth 5

Stockage :

Mémoire Flash interne
Internal Flash memory

Software compatibility :

REST API

Network :

1x Ethernet 10/100 BaseT
1x Bluetooth 5 (long range BLE)

Power supply :

PoE 802.3af

Environment :

Temperature: 0 ~ 40°C

Physical Characteristics :

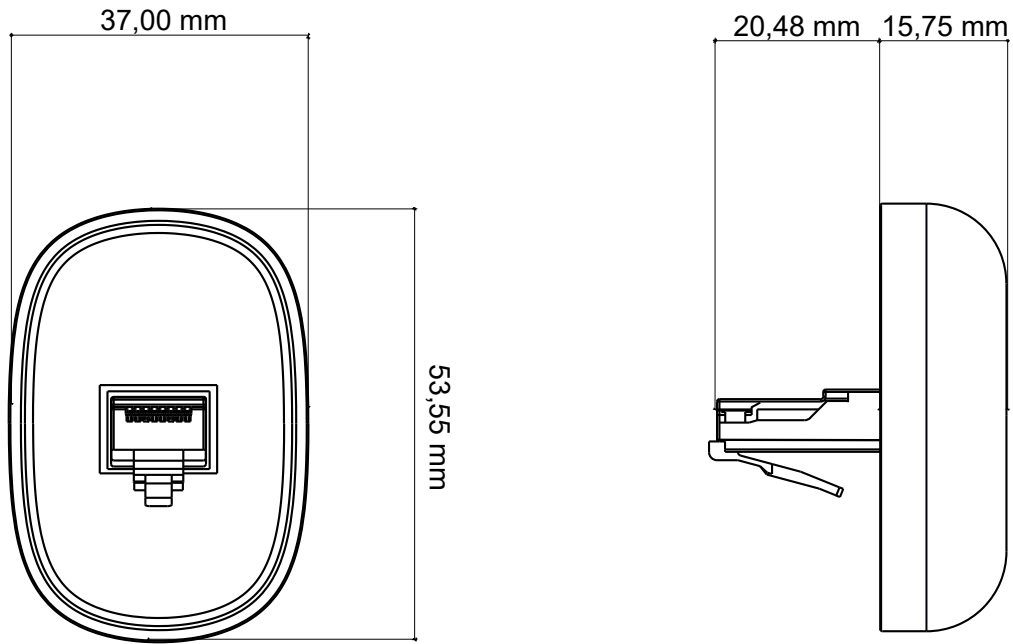
Weight: 35 gr
Dimensions (WxHxD) : 37x53,55x15,75 mm

Warranty :

1 year (parts and labor)

Manufacturer :

Qeedji



Ordering Information

Platform Reference	Description
SAP10E	Slate Access Point

Ref: BR-SAP10E-001A_en



www.qeedji.tech
sales@qeedji.tech

