



The SBL10E occupancy indicator light is particularly suitable for office environments in smart buildings.

Connected directly to a RJ45 powered plug (PoE), its commissioning is very fast. It is equipped with LED light which diffuses a green, red, blue, yellow or orange light.

The way to control the scattered light depends on the firmware installed on the device. In its standard version, the light commands can be requested by a simple HTTP(S) request.

Several versions of firmware exist to directly synchronize with the occupancy status available in a digital building twin or from a room booking system such as MS-Exchange or GSuite.

Strengths

- Power Over Ethernet (PoE)
- RJ45 male integrated
- Very low power: 0,75W
- Beacon BLE 5 compliant
- Modular firmware

Specification

Settings :

HTML5 Web UI

Protocols :

HTTP(S), IPv4

Processors :

Nordic Semiconductor nRF52

ARM CryptoCell 310

Peripherals :

1x male RJ45 PoE 802.3af

1x Bluetooth 5

Storage :

Internal Flash memory

Software compatibility :

REST API

MS-Exchange/Office 365

GSuite

Network :

1x Ethernet 10/100 BaseT

1x Bluetooth 5 (long range BLE)

Power supply :

PoE 802.3af

Environment :

Temperature: 0 ~ 40°C

Physical Characteristics :

Weight: 35 gr

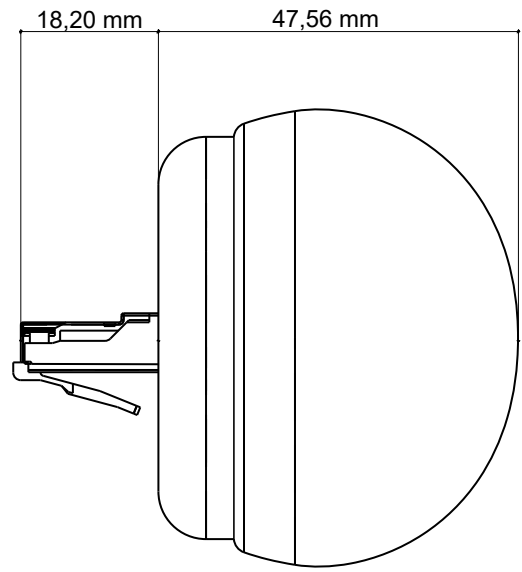
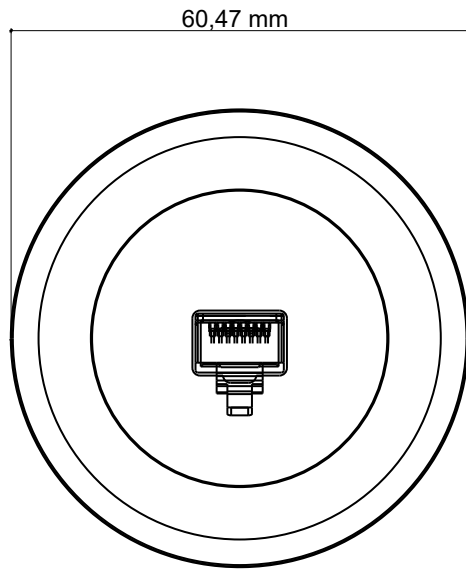
Dimensions: 47,56 x 60,47 mm

Warranty :

2 years (parts and labor)

Manufacturer :

Qeedji



Ordering Information

Platform Reference	Description
SBL10E	Smart Busy Light

